



RIGHT UPPER EXHAUST

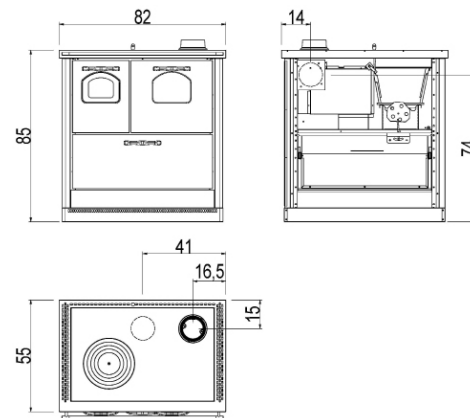
- IVORY STEEL
7113006
EAN 8033123610650
- RED STEEL
7113005
EAN 8033123610643
- IVORY MAJOLICA
7114006
EAN 8033123615273
- RED MAJOLICA
7114003
EAN 8033123615242

CENTRAL UPPER EXHAUST

- IVORY STEEL
7113010
EAN 8033123613286
- RED STEEL
7113009
EAN 8033123613279
- IVORY MAJOLICA
7114007
EAN 8033123615280
- RED MAJOLICA
7114004
EAN 8033123615259

RIGHT BACK EXHAUST

- IVORY STEEL
7113014
EAN 8033123613323
- RED STEEL
7113013
EAN 8033123613316
- IVORY MAJOLICA
7114008
EAN 8033123615297
- RED MAJOLICA
7114005
EAN 8033123615266



EXTRA



Cooking



Cast iron inner with 2nd combustion air



Upper and back exhaust



View on the oven

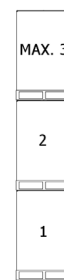
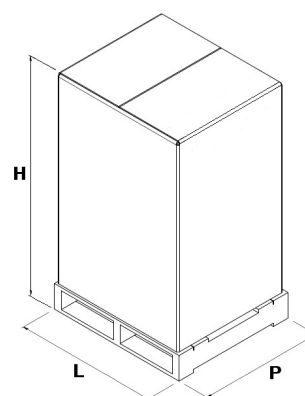


Handgrip against burn

TECHNICAL DATAS

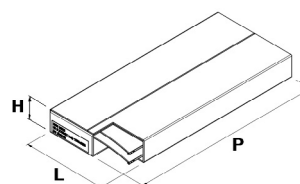
Nominal power	kW	6
Reduced power	kW	-
Nominal water useful power	kW	-
Reduced water useful power	kW	-
Nominal efficiency	%	71,5
Reduced efficiency	%	-
Heating volume (max)	m ³	144
Nominal CO at 13% O ₂	%	0,43
Reduced CO at 13% O ₂	%	-
Nominal dust content at 13% O ₂	mg/Nm ³	-
Boiler capacity (H ₂ O)	l	-
Hopper capacity	kg	-
Combustible		Wood
Hourly consumption (max)	kg/h	1,80
Autonomy (min-max)	h	-
Ignition electrical absorption (max)	W	-
Operating electrical absorption (max)	W	-
Supply and frequency	V - Hz	-
Chimney flue depression	Pa	11
Exhaust diameter	mm	120
Combustion air inlet diameter	mm	-
Mass of smoke (max)	g/sec	12,9
Exhaust fumes temperature (max)	°C	187
Net weight	kg	122
Gross weight	kg	132

PACKAGING AND STOCKING



L (cm)	85,5
H (cm)	100
P (cm)	68,5

LINING PACKING



LINING	L (cm)	H (cm)	P (cm)
Steel	79	11	69
Majolica	73	20	41



EN 12815:2001/A1:2004/AC:2007