

Aquos 22 H2O






STOVE STRUCTURE CODE 7014029 (BAFA)
EAN 8033123615075



STEEL

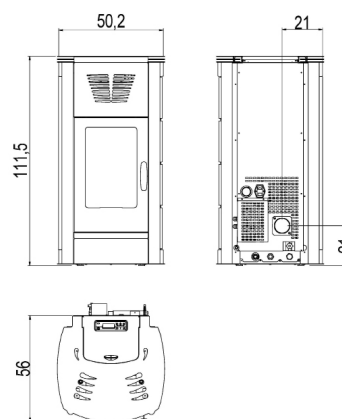
-  ANTHRACITE
6913008
EAN 8033123612784
-  IVORY
6913010
EAN 8033123612753
-  RED
6913009
EAN 8033123612760
-  SILVER
6913007
EAN 8033123612777
-  LIGHT BRONZE
6915018
EAN 8033123616386

MAJOLICA

-  IVORY
6913013
EAN 8033123612791
-  BRILLIANT BLACK
6913011
EAN 8033123612807
-  RED
6913012
EAN 8033123612661

STONE

-  SERPENTINO
6913014
EAN 8033123612746
-  WHITE
6914001
EAN 8033123614764



EXTRA



Complete kit heating + domestic water



Overheating protection



Cast iron burning pot



Water temperature sensor



Connection to the external thermostat



Back exhaust



Hydraulic kit included



Handgrip against burn



Air temperature sensor



Daily weekly programming

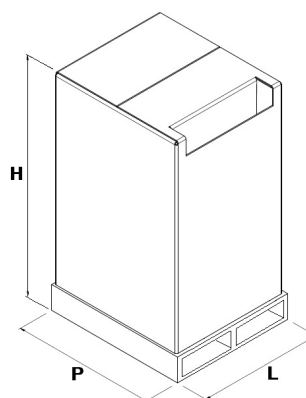


Ventilation

TECHNICAL DATAS

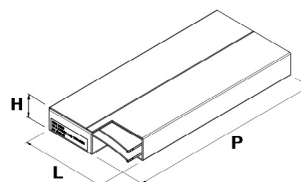
Nominal power	kW	21
Reduced power	kW	4,4
Nominal water useful power	kW	17
Reduced water useful power	kW	3
Nominal efficiency	%	92,5
Reduced efficiency	%	95
Heating volume (min-max)	m ³	106 - 504
Nominal CO at 13% O ₂	%	0,012
Reduced CO at 13% O ₂	%	0,040
Nominal dust content at 13% O ₂	mg/Nm ³	2
Boiler capacity (H ₂ O)	l	14
Hopper capacity	kg	29
Combustible		Pellet ø6
Hourly consumption (min-max)	kg/h	0,90 - 4,90
Autonomy (min-max)	h	32,2 - 5,9
Ignition electrical absorption (max)	W	420
Operating electrical absorption (max)	W	120
Supply and frequency	V - Hz	230 - 50
Chimney flue depression	Pa	10
Exhaust diameter	mm	80
Combustion air inlet diameter	mm	50
Mass of smoke (min-max)	g/sec	4,5 - 12,6
Exhaust fumes temperature (max)	°C	160
Net weight	kg	161-172-206
Gross weight	kg	171-182-216

PACKAGING AND STOCKING



L (cm)	68
H (cm)	133
P (cm)	80

LINING PACKING



LINING	L (cm)	H (cm)	P (cm)
Steel	96	8	46
Majolica	50	30	47
Stone	45	27	23



EN 14785:2006



BlmSchV 2015



Regensburg



München



Stuttgart

Aachen